

SAFETY INSTRUCTIONS



WARNING:

Failure to follow these instructions may result in injury or damage to the product.

GENERAL SAFETY

- Read all instructions carefully before installing or using the product.
- Use the product only for its intended purpose.
- Do not modify the product or use damaged components.
- Keep this product away from children unless supervised by an adult.
- You may need co-worker to assemble with safety and easily.

INSTALLATION

- Ensure the product is installed on a stable, level surface.
- Follow the manufacturer's installation instructions exactly.
- Confirm all bolts, screws, and fasteners are securely tightened before use.
- Do not install the rack near heat sources, open flames, or electrical hazards.

LOAD & USAGE

- Do not exceed the maximum load capacity specified for the product.
- Do not climb, sit, or stand on the product.
- Avoid sudden impacts or excessive force on the product.

MAINTENANCE

- Inspect the product regularly for signs of wear, loosened fasteners, or damage.
- Tighten any loose components immediately
- Clean with a dry or slightly damp cloth; do not use harsh chemicals.
- Stop using the product if damage is detected until it is repaired or replaced.

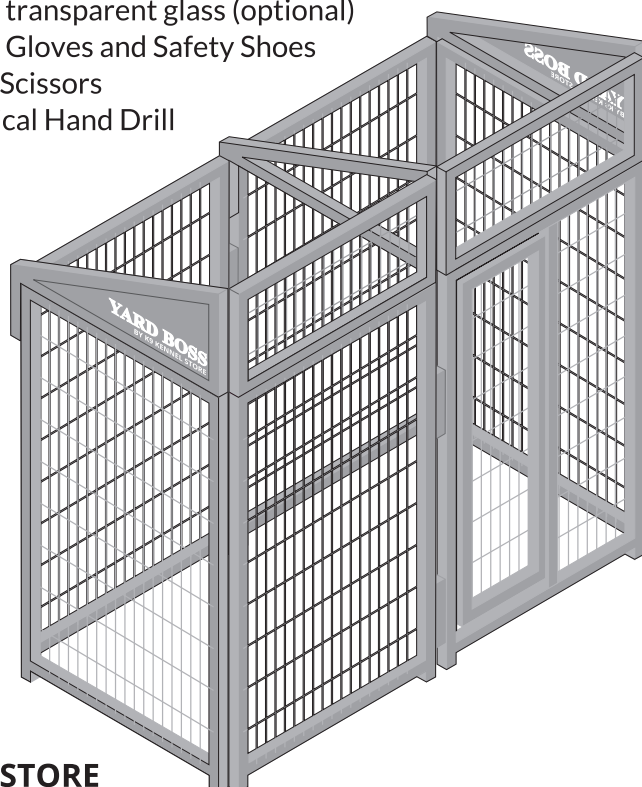
STORAGE

- Store the product in a dry location when not in use.
- Protect from excessive moisture to prevent corrosion or weakening of materials.

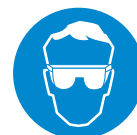
EQUIPMENT FOR ASSEMBLE

Not included in the item package.

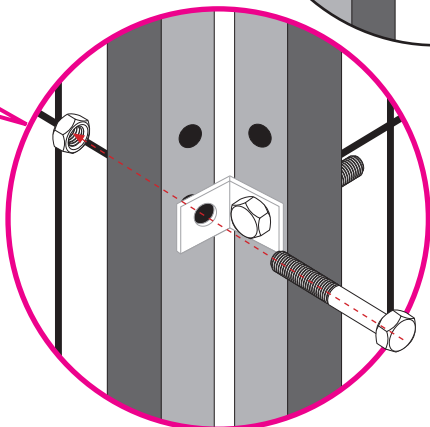
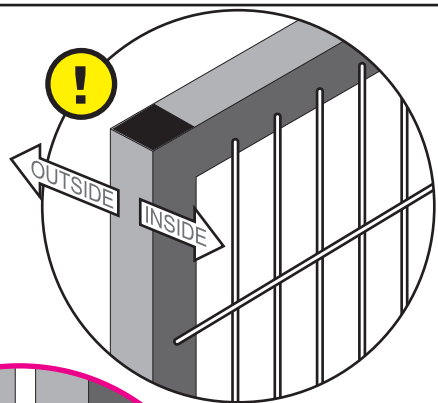
- Safety transparent glass (optional)
- Safety Gloves and Safety Shoes
- Metal Scissors
- Electrical Hand Drill



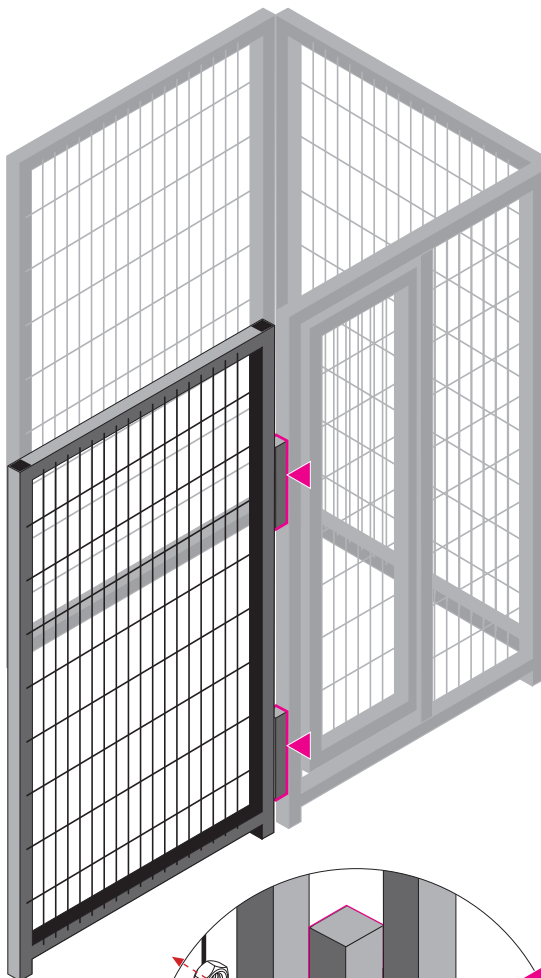
It is recommended that you have knowledge of assembly are helpful.



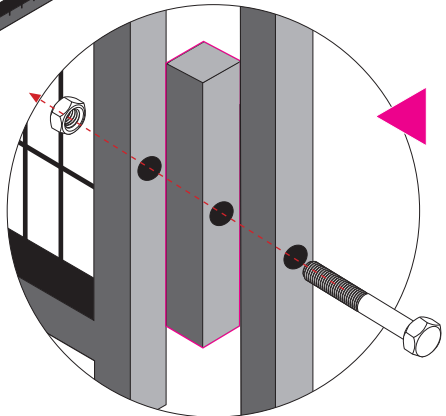
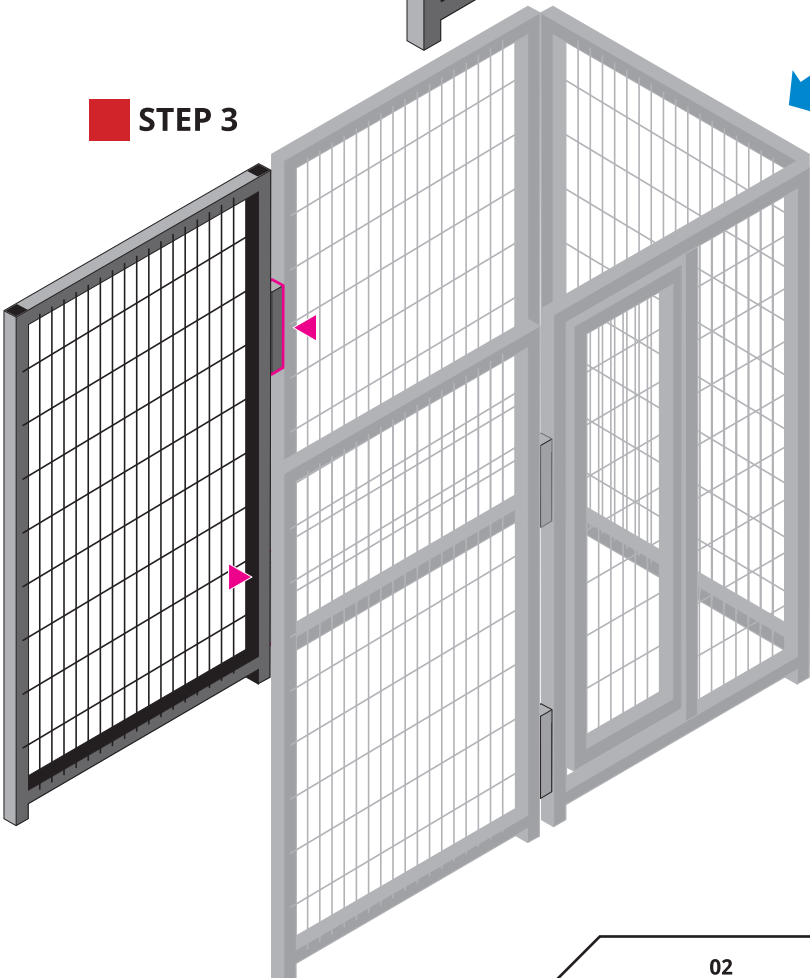
STEP 1 - ASSEMBLING INSTRUCTION



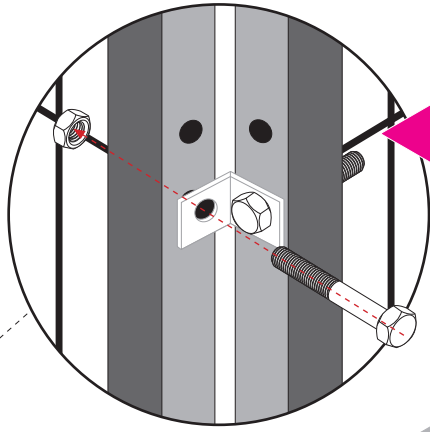
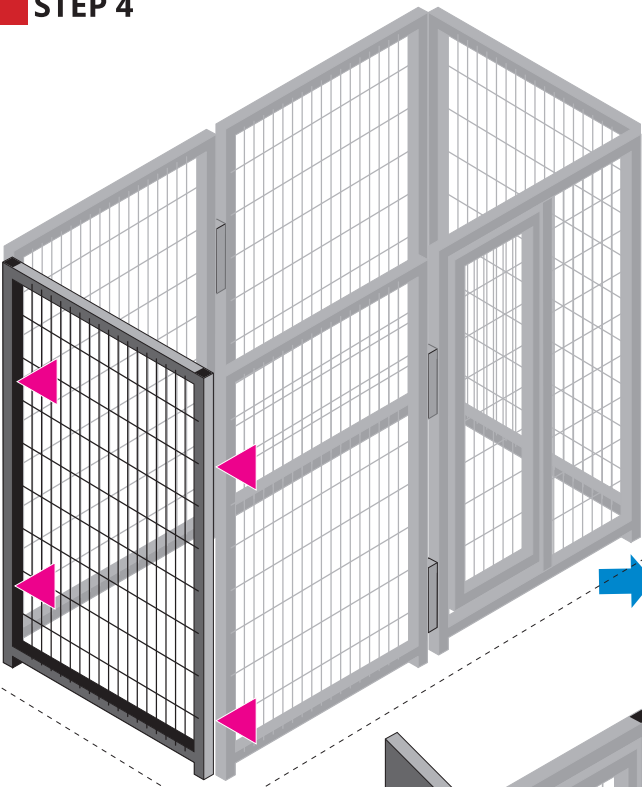
STEP 2



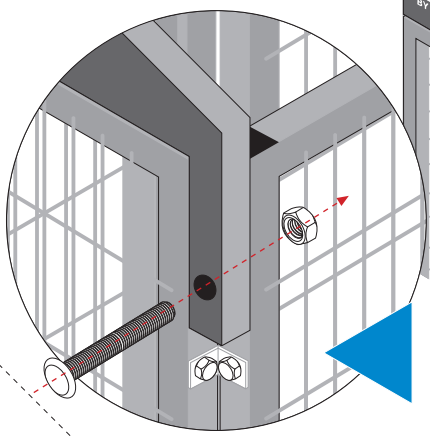
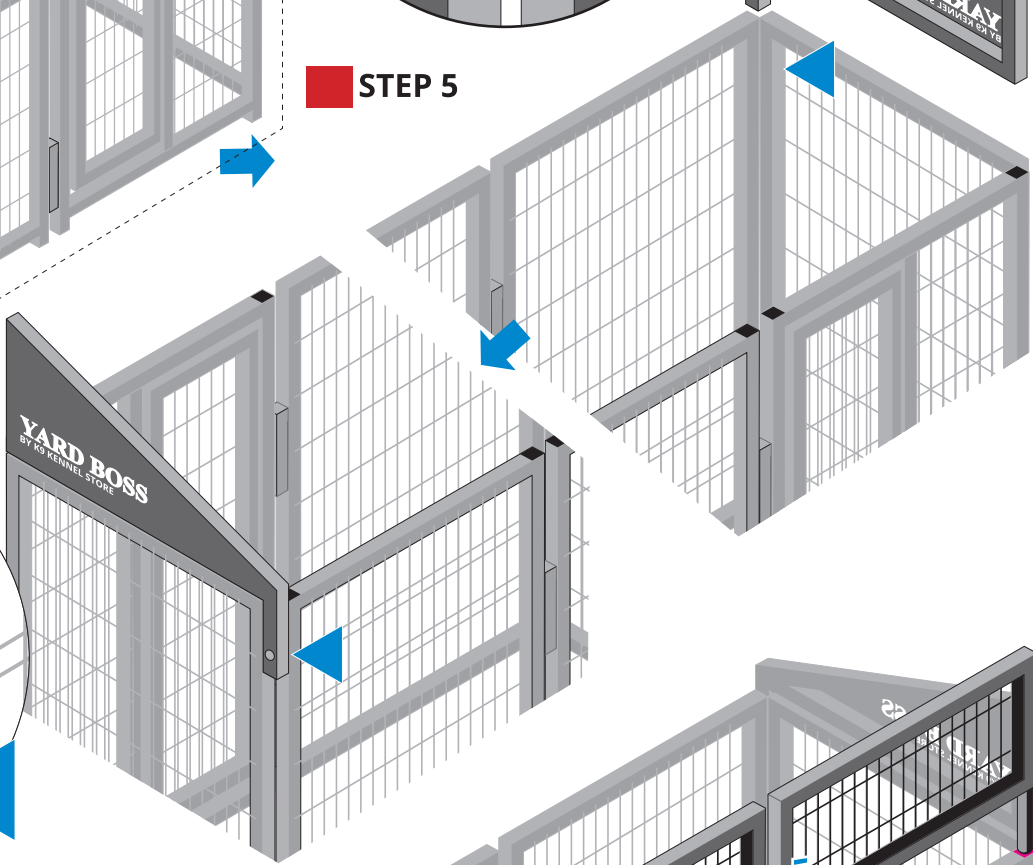
STEP 3



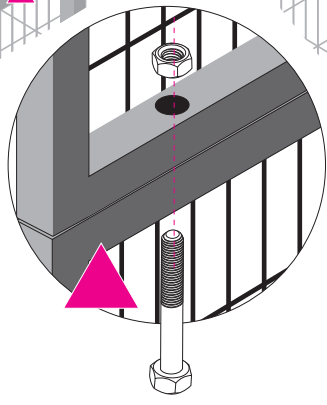
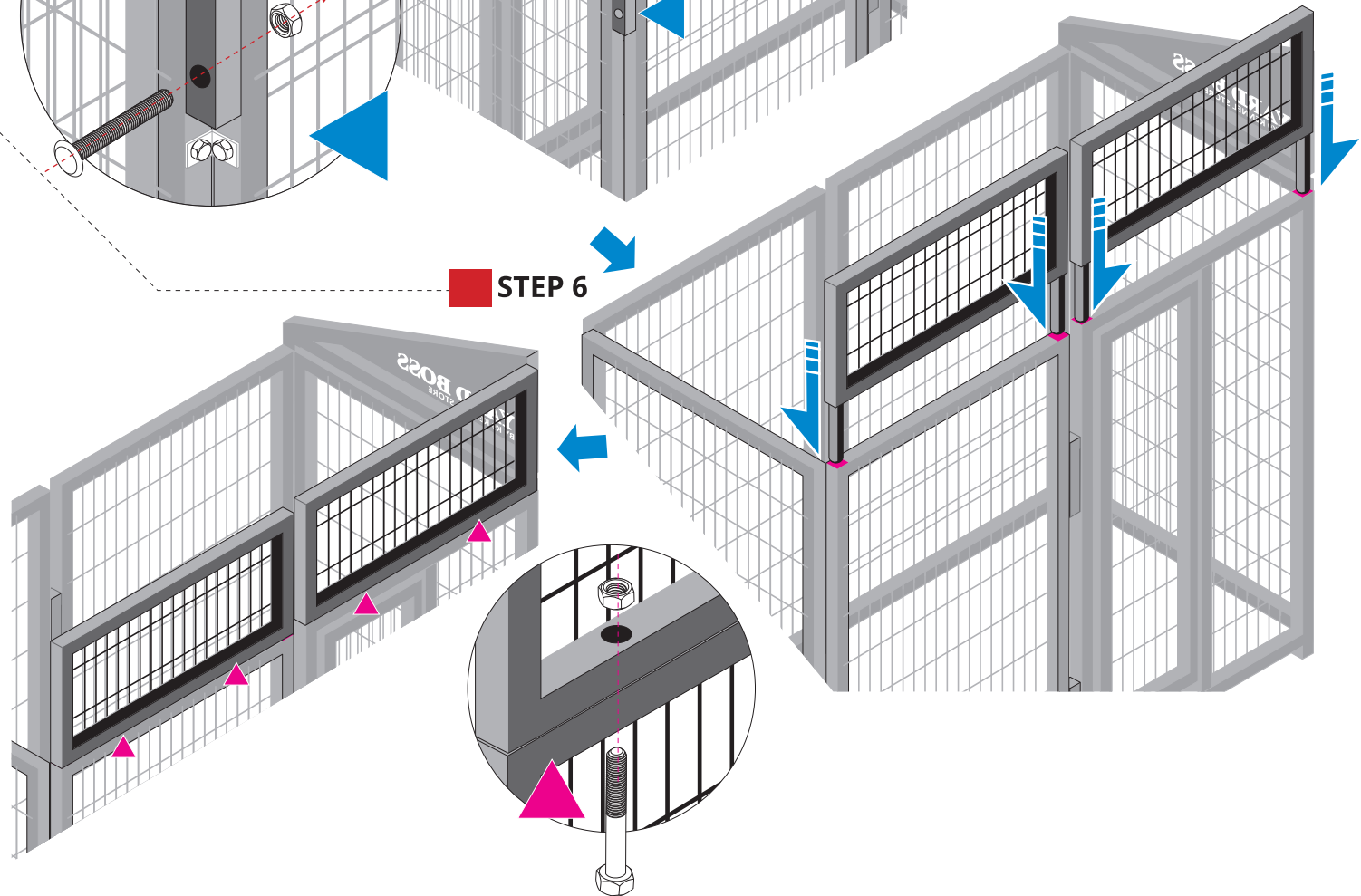
STEP 4



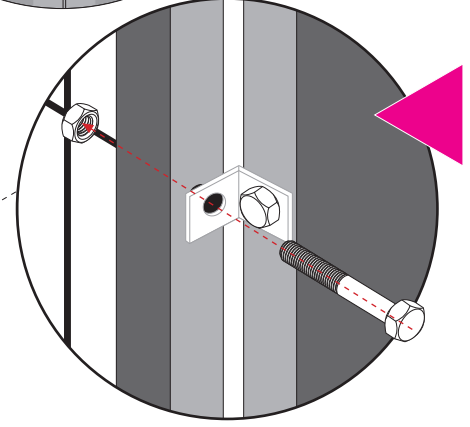
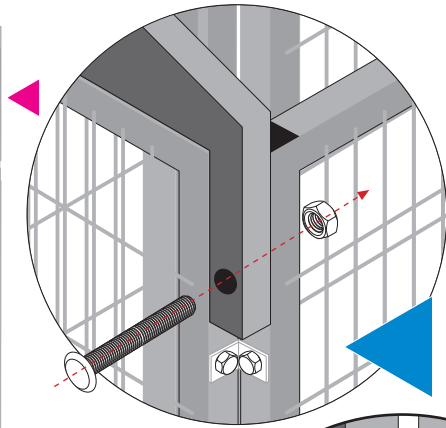
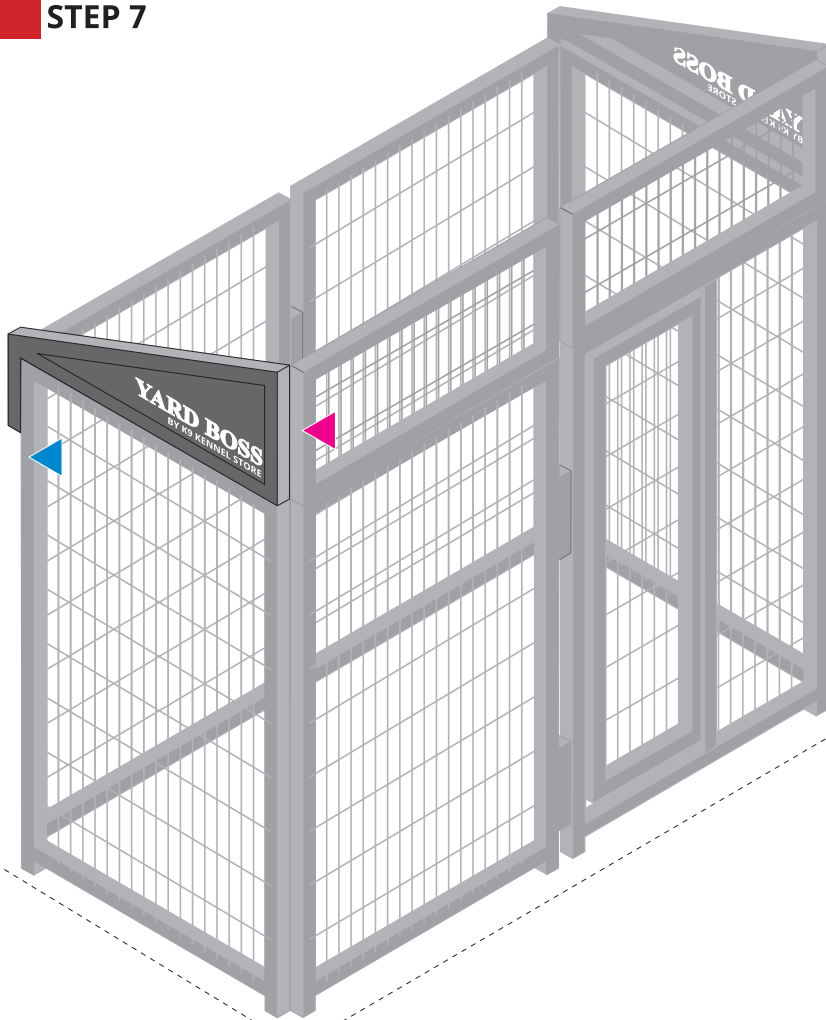
STEP 5



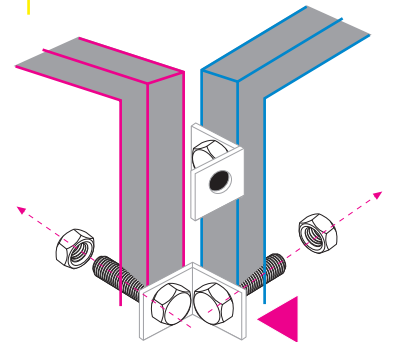
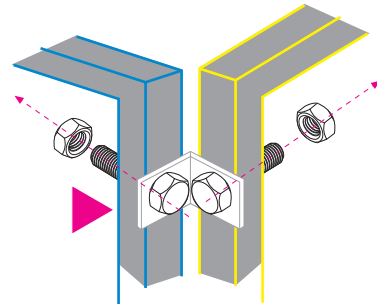
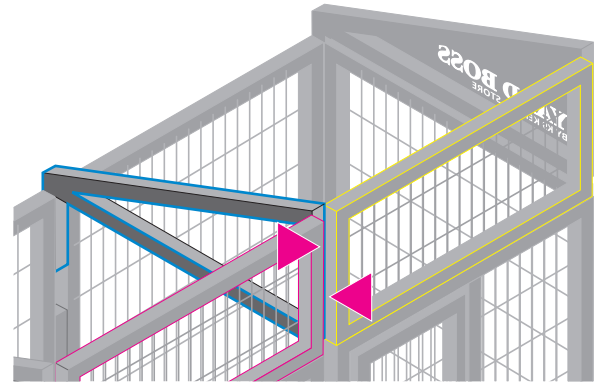
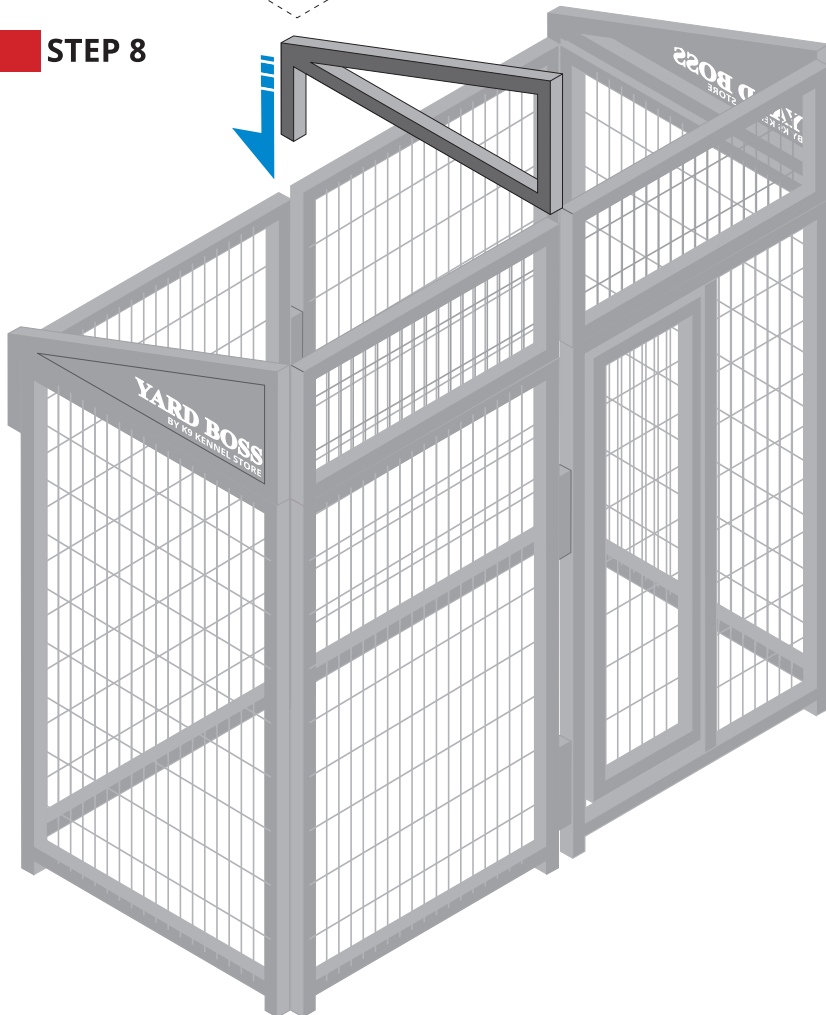
STEP 6



STEP 7



STEP 8



Thank You.
WWW.K9-KENNELSTORE.COM